

PRODUCT NAME

Valve Monitor

MODEL NO.

ALS300LM2

DESCRIPTION OF THE PRODUCT

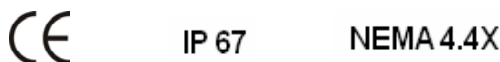
The ALS300LM2 valve monitor is a linear position indication device. Armed with mechanical switch, this device can sense mechanical position (on/off) of the linear valve for remote PLC or PC indication. The visual indicator on the top of the device can also clearly display the valve position for local detection.



SPECIFICATIONS AND TECHNICAL DATA

Enclosure	Die-casting aluminum: O-ring sealed
Coating	Dichromate conversion with polyester powder coating
O-rings	Buna N
Environment	Type 4, 4X, IP67
Area Classification	Standard
Fasteners	Stainless steel
Shaft	Stainless steel Namur
Conduit Entries	Two 1/2" BSPP
	Also available with two 1/2" NPT, M20-1.5
Terminal Strip Contacts	8
Mounting Bracket	MB - 3L (Carbon steel)
Linear stroke(L)	10~70mm
Temperature Rating	-20°C-85°C

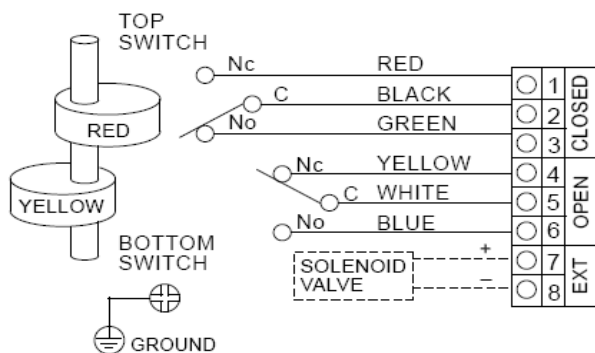
APPROVED BY



Sensor: 2 SPDT CROUZET Mechanical Switches

Model No.	M2
Operating Voltage	Max: 15A125-250 VAC
Operating Temp.	-25°C-85°C

WIRING DIAGRAM(2SPDT)



DRAWING AND DIMENSION

